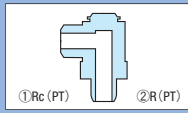




Printed in Red



—DOWEL PIN TYPE/FLANGE TYPE—



Printed in Red

The volume discount rate is also applicable to alteration cost.
All price & lead time are to be quoted.

The volume discount rate is also applicable to alteration cost.
All price & lead time are to be quoted.

RoHS

L-shaped Swivel Joints

LSNF (Brass)
SUS-LSNF (Stainless steel)

Heat-resistant temperature was changed in less than water temperature 120°C from less than water temperature 80°C.

①Rc (PT) ②R (PT)

Material: **LSNF** Brass (C3604)
SUS-LSNF Stainless Steel (SUS303)
Thread: JIS B 0203 tapered thread for tube R_{Rc} (PT)

Ⓜ Values in () are reference only.
Ⓜ Hexagonal holes bored on the bottom surface of the tapered part ②.

H	d ₁	Hexagonal wrench socket ○d	L	ℓ	ℓ ₁	(a)	① Rc (PT)	② R (PT)	Catalog No.		U/Price 1~9
									Type	No.	
19	14	○5	36.5	15.75	9.5	16	1/8	1/8	LSNF (Brass)	1	Quotation
	17	○6	39.5	15.75	12.5	20.5	1/4	1/4		2	
	19		42.5	17.75	13.5	25.5	3/8	3/8		3	
19	14	○5	36.5	15.75	9.5	16	1/8	1/8	SUS-LSNF (Stainless steel)	1	Quotation
	17	○6	39.5	15.75	12.5	20.5	1/4	1/4		2	

Ⓜ Use in atmospheric pressure 980kPa (10kgf/cm²) or lower.

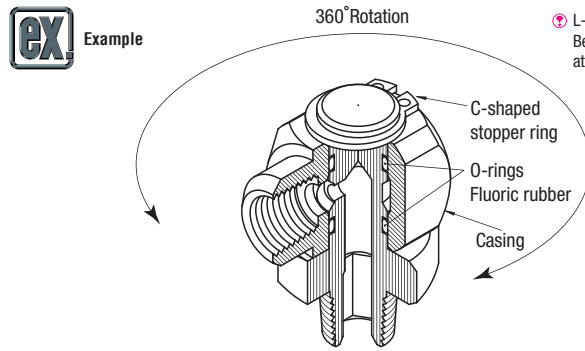
Ⓜ Keep water temperature under 120°C.

Order **Catalog No.**
LSNF 2

Delivery **SGP Stock** **3** Days
• Printed in Red • Printed in Blue
Ⓜ For area out of Singapore please refer to P.i.

Quantity discount rate

Quantity	1~9	10~19	20~49	50~100
Rate	—	5%	10%	15%



WCPN (Dowel pin type)

WCPS (Flange type)

D=4 · 6 · 8

D=10 · 12

Material: **SUS 316**
Brass (CuZn)

H _{ns}	T	ℓ ₁	ℓ	d ₁	a	d	Catalog No.		L	U/Price 1~4
							Type	D		
10	4	10	18	3	—	0.9	WCPN (Stainless steel)	1.5	150	Quotation
								2.5	150	
								3.2	200	
10 12 15 18 22	5.1	11	20	3.5	7.2	3	WCPS (Brass)	4	200	Quotation
								6	300	
								8	300	
								10	350	
								12	350	
								10.5	14	

Order **Catalog No.** — L
WCPN1.5 — 150
WCPS4 — 200
• Printed in Red • Printed in Blue

Delivery **SGP Stock** **3** Days
Ⓜ For area out of Singapore please refer to P.i.

Quantity discount rate

Quantity	1~4	5~19	20~49	50~100
Rate	—	5%	10%	15%

Example

WCPN (Dowel pin type) **WCPS** (Flange type)

D	Recommended φE
1.5~2	4~5
2.5	5~6
3~3.2	6~7
4~5	8
6	10
8	12
10	16
12	20