

# QUICK-FITTING JOINTS FOR MOLD COOLING

—STANDARD TYPE (HEAT-RESISTANT 60°C SERIES)—



# QUICK-FITTING JOINTS FOR MOLD COOLING

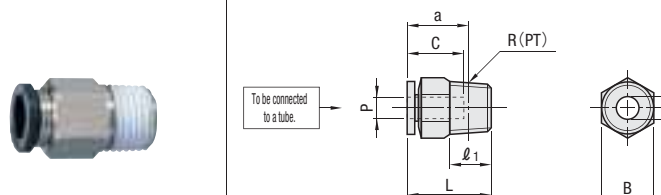
—STANDARD TYPE (HEAT-RESISTANT 60°C SERIES)—



The volume discount rate is also applicable to alteration cost.  
All price & lead time are to be quoted.

The volume discount rate is also applicable to alteration cost.  
All price & lead time are to be quoted.

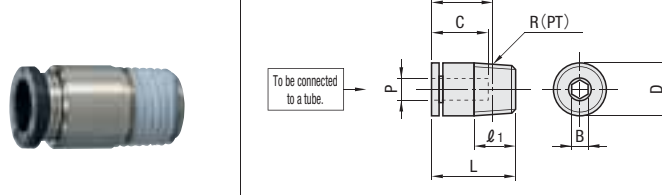
**RoHS** **M-PC** (Straight Joint Plug—Spanner type)



**M** Body : Brass (C3604) + Nickel plating  
Release ring : Polyacetal resin (POM)  
Thread : Brass (C3604) + nickel plating  
Thread JIS B 0203 tapered thread for tubing R (PT)  
※Thread part is applied with sealant.

- Ⓜ M-PC is made in integral structure, and cannot be disassembled.
- Ⓜ Use in normal pressure 300kPa (3kgf/cm<sup>2</sup>) or lower.
- Ⓜ Keep water temperature under 60°C.
- Ⓜ Set the surge pressure (the pressure that acts instantaneously due to an impact flow) so that it does not exceed the maximum working pressure (300 kPa).
- Ⓜ Be sure to use an insert sleeve when using this socket.

**M-POC** (Straight Joint Plug—Hexagonal wrench type)



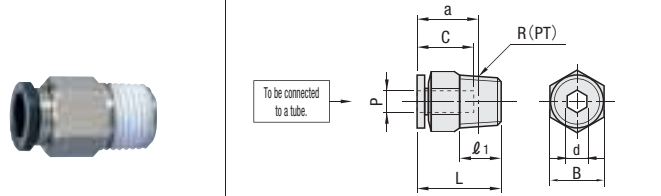
**M** Body : Brass (C3604) + Nickel plating  
Release ring : Polyacetal resin (POM)  
Thread : Brass (C3604) + nickel plating  
Thread JIS B 0203 tapered thread for tubing R (PT)  
※Thread part is applied with sealant.

- Ⓜ M-POC is made in integral structure, and cannot be disassembled.
- Ⓜ Use in normal pressure 300kPa (3kgf/cm<sup>2</sup>) or lower.
- Ⓜ Keep water temperature under 60°C.
- Ⓜ Set the surge pressure (the pressure that acts instantaneously due to an impact flow) so that it does not exceed the maximum working pressure (300 kPa).
- Ⓜ Be sure to use an insert sleeve when using this socket.

Matching tubes Outer×Inner dia.	Tube inserting hole		d	L	a	Allen side B	ℓ <sub>1</sub>	R (PT)	Catalog No.		U/Price 1~19
	Hole dia. P	Depth C							Type	No.	
4×2.5	4	15	3	21.0	17.0	10	8	1/8	<b>M-PC</b>	<b>Quotation</b>	
					15.0	14	11	1/4			
6×4	6	17	4.6	22.6	18.6	12	8	1/8			
				24.6	18.5	14	11	1/4			
				23.6	17.2	17	12	3/8			
8×6	8	18.5	6	27.9	23.9	14	8	1/8			
				26.6	20.6	14	11	1/4			
				23.9	17.6	14	12	3/8			
10×7.5	10	21	7	30.3	26.3	17	8	1/8			
				29.8	23.8	17	11	1/4			
				29.3	23	17	12	3/8			
12×9	12	23.5	8.5	35.9	29.9	21	11	1/4			
				31.9	25.6	21	12	3/8			

Matching tubes Outer×Inner dia.	Tube inserting hole		D	Hexagonal wrench size ○B	L	a	ℓ <sub>1</sub>	R (PT)	Catalog No.		U/Price 1~19
	Hole dia. P	Depth C							Type	No.	
4×2.5	4	15	10	○2.5	21	17	8	1/8	<b>M-POC</b>	<b>Quotation</b>	
6×4	6	17	14	○5	27.9	23.9	8	1/8			
8×6	8	18	17	○6	23.9	17.6	12	3/8			
10×7.5	10	20.5	18	○6	29.8	23.8	11	1/4			
12×9	12	23.5	21	○8	31.9	25.6	12	3/8			

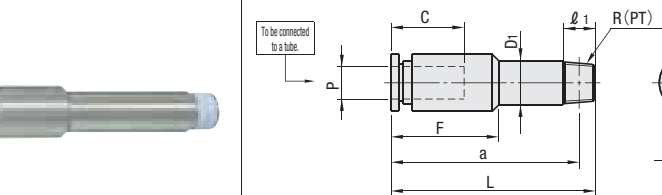
**M-PCX** (Straight Joint Plug—Spanner type)



**M** Body : Brass (C3604) + Nickel plating  
Release ring : Polyacetal resin (POM)  
Thread : Brass (C3604) + nickel plating  
Thread JIS B 0203 tapered thread for tubing R (PT)  
※Thread part is applied with sealant.

- Ⓜ M-PCX is made in integral structure, and cannot be disassembled.
- Ⓜ Use in normal pressure 300kPa (3kgf/cm<sup>2</sup>) or lower.
- Ⓜ Keep water temperature under 60°C.
- Ⓜ Set the surge pressure (the pressure that acts instantaneously due to an impact flow) so that it does not exceed the maximum working pressure (300 kPa).
- Ⓜ Be sure to use an insert sleeve when using this socket.

**RoHS** **M-POCL** (Long Straight Joint Plug—Hexagonal wrench type)



**M** Body : Brass (C3604) + Nickel plating  
Release ring : Polyacetal resin (POM)  
Thread : Brass (C3604) + nickel plating  
Thread JIS B 0203 tapered thread for tubing R (PT)  
※Thread part is applied with sealant.

- Ⓜ M-POCL is made in integral structure, and cannot be disassembled.
- Ⓜ Use in normal pressure 300kPa (3kgf/cm<sup>2</sup>) or lower.
- Ⓜ Keep water temperature under 60°C.
- Ⓜ Set the surge pressure (the pressure that acts instantaneously due to an impact flow) so that it does not exceed the maximum working pressure (300 kPa).
- Ⓜ Be sure to use an insert sleeve when using this socket.

Matching tubes Outer×Inner dia.	Tube inserting hole		Hexagonal wrench size ○d	L	a	Allen side B	ℓ <sub>1</sub>	R (PT)	Catalog No.		U/Price 1~19
	Hole dia. P	Depth C							Type	No.	
4×2.5	4	15	○2.5	21.0	17.0	10	8	1/8	<b>M-PCX</b>	<b>Quotation</b>	
6×4	6	17	○4	24.6	18.5	14	11	1/4			
8×6	8	18.5	○5	27.9	23.9	14	8	1/8			

Matching tubes Outer×Inner dia.	Tube inserting hole		Hexagonal wrench size ○B	D <sub>1</sub>	L	a	F	ℓ <sub>1</sub>	R (PT)	Catalog No.		U/Price 1~19			
	Hole dia. P	Depth C								Type	No.				
8×6	8	18	○5	11	48.5	44.5	26.5	8	1/8	<b>M-POCL</b>	<b>Quotation</b>				
													58.5	54.5	8-01-L 40
													68.5	64.5	8-01-L 50
													78.5	74.5	8-01-L 60
													88.5	84.5	8-01-L 70
													98.5	94.5	8-01-L 80
													108.5	104.5	8-01-L 90
													118.5	114.5	8-01-L 100
													118.5	114.5	8-01-L 110
													58.5	52.5	8-02-L 50
													68.5	62.5	8-02-L 60
													78.5	72.5	8-02-L 70
88.5	82.5	8-02-L 80													

Order **Catalog No.**  
M-PC4-01  
M-PCX6-01H

Delivery **M-PC** **SGP Stock** **3** Days  
**Other Product** **3** Days

Ⓜ For area out of Singapore please refer to P.i.

**Quantity discount rate**

Quantity	1~19	20~99	100~199	200~500
Rate	—	5%	10%	15%

Order **Catalog No.**  
M-POC 6-02  
M-POCL8-01-L40

Delivery **M-POC** **Stock** **3** Days  
**Other Product** **3** Days

Ⓜ For area out of Singapore please refer to P.i.

**Quantity discount rate**

Quantity	1~19	20~99	100~199	200~500
Rate	—	5%	10%	15%