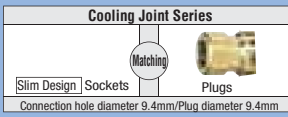




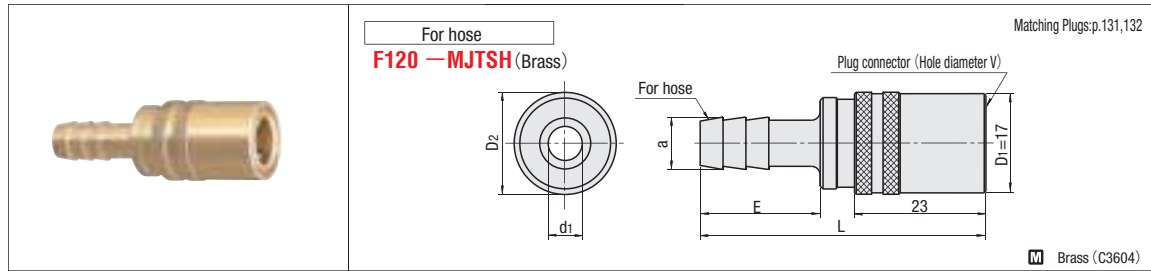
Printed in Red



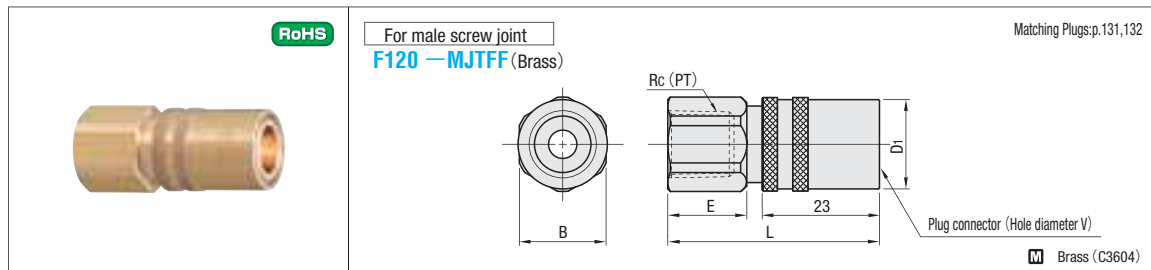
Printed in Red

The volume discount rate is also applicable to alteration cost.
All price & lead time are to be quoted.

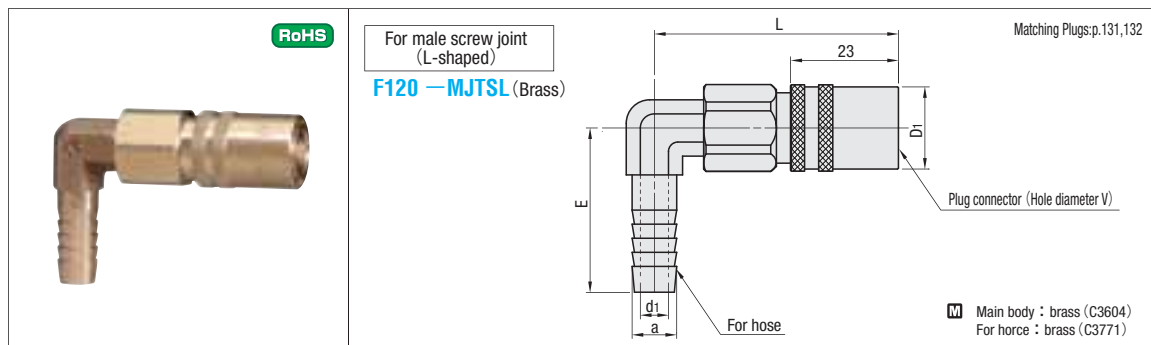
The volume discount rate is also applicable to alteration cost.
All price & lead time are to be quoted.



Matching Plugs	Plug connection parts		D_2	L	d_1	For hose		Catalog No.		U/Price
	Hole diameter V	D_1				a	E	Type	No.	
Cooling Joint Plugs Tip diameter V=9.4	9.4	17	17.5	50	6	8.9	21	For hose F120—MJTSH (Brass)	2	Quotation
						11.5	21			



Matching Plugs	Plug connection parts		L	E	B	Tapered Female thread Rc (PT)	Catalog No.		U/Price
	V	D_1					Type	No.	
Cooling Joint Plugs Tip diameter V=9.4	9.4	17	41.5	15.5	17	1/4	For male screw joint F120—MJTFF (Brass)	2	Quotation



Matching Plugs	Plug connection parts		L (reference)	d_1	For hose		Catalog No.		U/Price
	V	D_1			a	E	Type	No.	
Cooling Joint Plugs Tip diameter V=9.4	9.4	17	(52)	6	9.5	31.5	For male screw joint (L-shaped) F120—MJTSL (Brass)	2	Quotation

- Matching plugs: MISUMI's cooling joint plug JPJH (Ex. JPJH1) • JPJ • LJPJ and (JPLJ)
- Matching Joint Plug Connections P.121
- Use in normal pressure 980kPa (10kgf/cm²) or lower.
- Keep water temperature under 120°C.

Guide for sockets • Plugs P.123,124

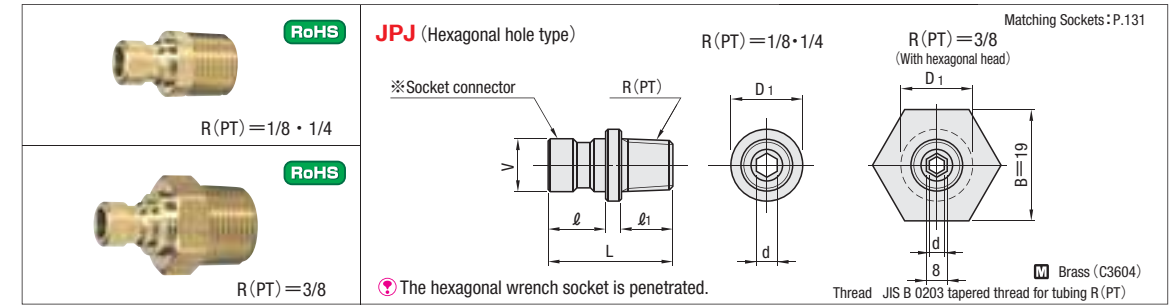
Order **CatalogNo.**
F120—MJTSH2
F120—MJTFF2
F120—MJTSL2
Printed in Red • Printed in Blue

Delivery **SGP Stock** **3** Days

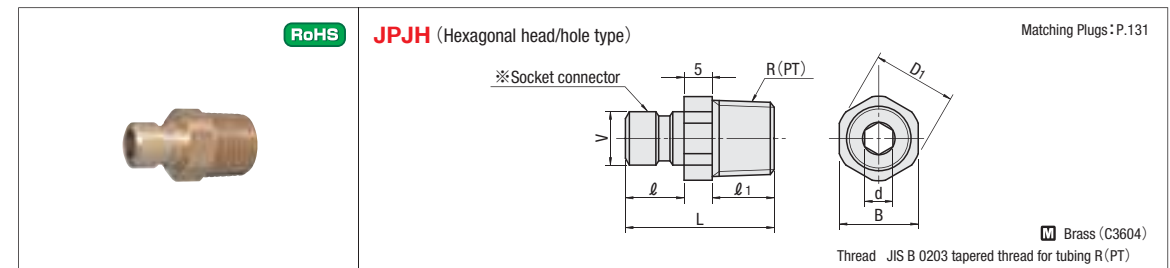
For area out of Singapore please refer to P.i.

Quantity discount rate

Quantity	1~9	10~100
Rate	—	5%



Matching Sockets	To be connected to a socket		L	D_1	Allen side B	Hexagonal wrench socket ϕ d	Tapered thread R (PT)	ℓ_1	Catalog No.		U/Price
	V	ℓ							Type	No.	
Cooling Joint Series Socket hole diameter V=9.4	9.4	10.4	22.4	13	—	ϕ 5	1/8	9	Hexagonal hole type JPJ (Brass)	1	Quotation
			24.4	14	1/4		11	2			
			32.4	13	3/8		12	3			



Matching Sockets	To be connected to a socket		L	D_1	Allen side B	Hexagonal wrench socket ϕ d	Tapered thread R (PT)	ℓ_1	Catalog No.		U/Price
	V	ℓ							Type	No.	
Cooling Joint Series Socket hole diameter V=9.4	9.4	10.4	24.4	(13.5)	12	ϕ 5	1/8	9	With hexagonal head/hole JPJH (Brass)	1	Quotation
			26.4	(15.5)	14		1/4	11	2		

- Matching Joint Plug Connections P.121
- Use in normal pressure 980kPa (10kgf/cm²) or lower.
- Guide for sockets • Plugs P.123,124
- These plugs are applicable to slim design sockets. P.131



Order

CatalogNo.

JPJ 2
JPJH2



Delivery

SGP Stock

For area out of Singapore please refer to P.i.



Example

Catalog No.	Cooling plug (Standard type)				Attachment Hole				
	Tapered male thread R (PT)	Full length L	Thread length ℓ_1	x_1	Counterbore depth F	Counterbore hole diameter	When using hexagonal wrench	Tapered female thread Rc (PT)	
JPJH	1	1/8	24.4	9	15.4	2~4	15.4+x ₂	18~20	1/8
	2	1/4	26.4	11	15.4	2~4	15.4+x ₂	18~23	1/4
JPJ	1	1/8	22.4	9	13.4	2~4	13.4+x ₂	18~	1/8
	2	1/4	24.2	11	13.4	2~4	13.4+x ₂	18~	1/4
3	3/8	32.4	12	17.4	3~5	less than 2mm	17.4+x ₂	22~(29~)	3/8

Please note that C dimension is less than 2mm when combining with Slim design socket.

- Note : 1. Setting C dimension over 2mm will cause the socket to bump on the mold and makes attaching/detaching impossible.
2. (Reference values) Appropriate dimensions vary depending on the hole diameter as well as the tap's depth and finishing level.
3. Dimensions of JPJ shown in () indicate the diameter of a counterbore for using a JIS B 4636 socket wrench.

