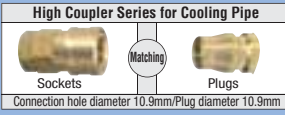


HIGH COUPLERS FOR COOLING PIPE


— PLUGS —



Printed in Red

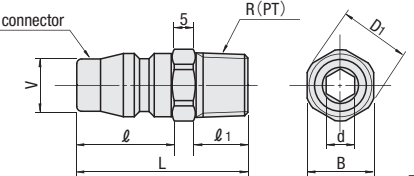


The volume discount rate is also applicable to alteration cost. All price & lead time are to be quoted.



JPLH (Hexagonal head/Hole type)


※Socket connector



Matching Sockets : P.127,128

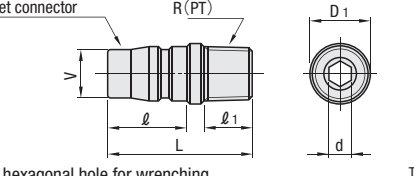
Material: Brass (C3604)

Thread: JIS B 0203 tapered thread for tubing R (PT)



JPL (Hexagonal hole type)

※Socket connector




Matching Sockets : P.127,128

Material: Brass (C3604)

Thread: JIS B 0203 tapered thread for tubing R (PT)

Ⓢ Through hexagonal hole for wrenching.

Matching sockets	To be connected to a socket		L	D ₁	Allen side B	Hexagonal wrench socket ⌀d	Tapered thread R (PT)	ℓ ₁	Catalog No.		U/Price 1~9
	V	ℓ							Type	No.	
High couplers series Socket diameter V=10.9	10.9	20	34	(15.5)	14	⌀6	1/8	9	With hexagonal head/hole	1	Quotation
			36				11	JPLH (Brass)	2		
	10.9	20	32	14	—	⌀6	1/8	9	Hexagonal hole type	1	
			34	14			1/4	11	JPL (Brass)	2	
			37	18			3/8	14		3	

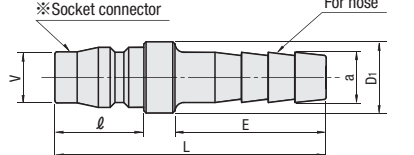


RoHS

KHPH (For hose)


※Socket connector

For hose



Matching Sockets : P.127,128

Material: Brass (C3604)

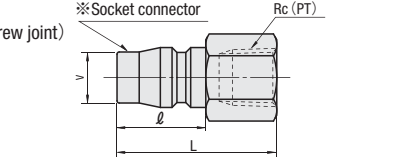


RoHS

KHPF (For male screw joint)

※Socket connector

Rc (PT)



Matching Sockets : P.127,128

Material: Brass (C3604)

Thread: JIS B 0203 tapered thread for tubing Rc (PT)

Matching Sockets	To be connected to a socket		L	D ₁	Inner dia. d ₁	For hose		Catalog No.		U/Price 1~9
	V	ℓ				a	E	Type	No.	
High couplers series Socket diameter V=10.9	10.9	20	57	16	7.5	9	30	For hose	2	Quotation
			61			34	KHPH (Brass)	3		

Matching plug Sockets	To be connected to a socket		L	Allen side B	Inner dia. d ₁	Tapered female thread Rc (PT)	Catalog No.		U/Price 1~9
	V	ℓ					Type	No.	
High couplers series Socket diameter V=10.9	10.9	20	36	14	7.5	1/8	1	For male screw joint	Quotation
			37	17		1/4	2	KHPF (Brass)	

Ⓢ Matching sockets : MISUMI's high couplers for cooling pipe KHSH (Ex. KHSH2) • KHSM (Ex. KHSM2) • KHSF • F120—KHSH • F120—KHSM • F120—KHSF • F120—MKHSH Ⓢ P.127,128
Nitto's high couplers □SH (Ex. 20SH) • □SM (Ex. K20SM) • □SF

Ⓢ Matching Joint Plug Connections Ⓢ P.121

Ⓢ Use in normal pressure 980kPa (10kgf/cm²) or lower. Ⓢ These plugs are applicable to slim design sockets (F120—MKHSH). Ⓢ P.128

Order

Catalog No.

- JPLH 2
- JPL 2
- KHPH 2
- KHPF 2

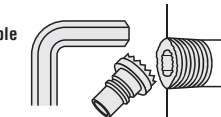
• Printed in Red • Printed in Blue

Delivery

SGP Stock **3** Days

Ⓢ For area out of Singapore please refer to P.i.

Example



When an unexpected accident results in the cooling plug of JPLH, JPL, and LJPL breaking, it can be easily detached due to the presence of a hexagonal hole inside the diameter.

Ⓢ Use in atmospheric pressure 980kPa (10kgf/cm²) or lower.

Quantity discount rate

Quantity	1~9	10~100
Rate	—	5%

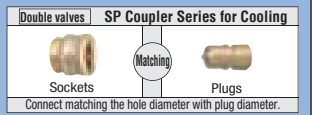
Stocks Availability Subjected to Prior Sales.

DOUBLE VALVES SP COUPLERS FOR COOLING

— SOCKETS • PLUGS —




Printed in Red



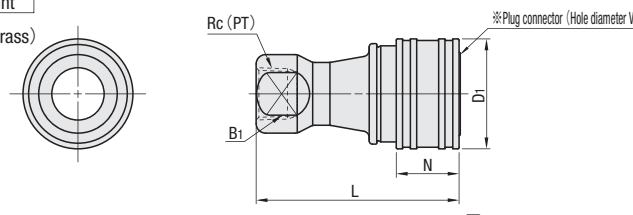
The volume discount rate is also applicable to alteration cost. All price & lead time are to be quoted.

Ⓢ Use SP coupler series for cooling matching with the diameter size of socket and plug.



For male screw joint

F120—SF (Brass)



Material: Brass (C3604)

Matching Plugs	Plugs connection parts			L	Two opposite side B ₁	Tapered female thread Rc (PT)	Catalog No.		U/Price 1~9
	Hole diameter V	N	D ₁				Type	No.	
SP couplers Tip diameter V=11	11	15.3	24	48	14	1/8	F120—SF (Brass)	1	Quotation
SP couplers Tip diameter V=14	14	17.5	28	58	19	1/4		2	
SP couplers Tip diameter V=19	19	20	35	65	21	3/8		3	
SP couplers Tip diameter V=23.5	23.5	25.5	45	72	29	1/2		4	


Ⓢ Matching plugs: MISUMI's SP couplers for cooling F120-PM (Ex.F120—PM2) • SF120—PM • F120—PF (Ex.F120—PF2) and SF120—PF
Nitto's SP couplers □P (Ex.3P)

Ⓢ Matching Joint Plug Connections Ⓢ P.121

Ⓢ Guide for sockets • Plugs Ⓢ P.123,124

Ⓢ Keep water temperature under 120°C

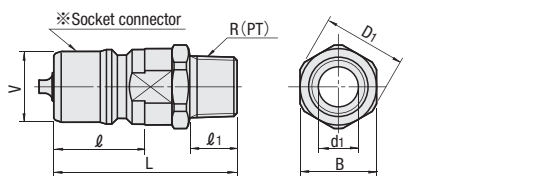
Ⓢ For SP couplers for cooling, there are automatic open/close valves in socket and plug respectively due to the structure of double valves.



With hexagonal head


F120—PM (Brass)

※Socket connector



Material: Brass (C3604)

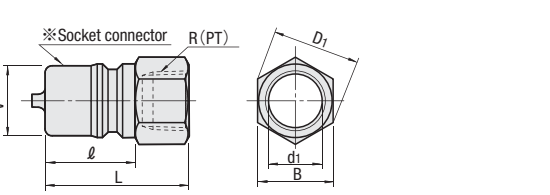
Matching Sockets	To be connected to a socket		L	D ₁	Allen side B	Tapered male thread R (PT)	ℓ ₁	Catalog No.		U/Price 1~9
	V	ℓ						Type	No.	
SP couplers Tip diameter V=11	11	19	39.5	15.5	14	1/8	10	F120—PM (Brass)	1	Quotation
SP couplers Tip diameter V=14	14	22	43.5	18.5	17	1/4	13		2	
SP couplers Tip diameter V=19	19	25	50.4	23	21	3/8	13		3	
SP couplers Tip diameter V=23.5	23.5	28	62	32	29	1/2	17		4	



For male screw joint

F120—PF (Brass)

※Socket connector



Material: Brass (C3604)

Matching Sockets	To be connected to a socket		L	D ₁	Allen side B	Tapered female thread Rc (PT)	Catalog No.		U/Price 1~9
	V	ℓ					Type	No.	
SP couplers Tip diameter V=14	14	22	36	18.5	17	1/4	F120—PF (Brass)	2	Quotation
SP couplers Tip diameter V=19	19	25	40	23	21	3/8		3	
SP couplers Tip diameter V=23.5	23.5	28	44	32	29	1/2		4	

Ⓢ Matching sockets: MISUMI's SP couplers for cooling F120—SF (Ex. F120—SF2) • SF120—SF
Nitto's SP couplers □S (Ex.2S)

Ⓢ Matching Joint Plug Connections Ⓢ P.121

Ⓢ Guide for sockets • Plugs Ⓢ P.123,124

Ⓢ Use in normal pressure 980kPa (10kgf/cm²) or lower.

Ⓢ Use at water temperature of 120°C

Ⓢ For SP couplers for cooling, there are automatic open/close valves in socket and plug respectively due to the structure of double valves.

Order

Catalog No.

- F120—SF2
- F120—PM2
- F120—PF3

• Printed in Red • Printed in Blue

Delivery

SGP Stock **3** Days

Ⓢ For area out of Singapore please refer to P.i.

Quantity discount rate

Quantity	1~9	10~100
Rate	—	5%

Stocks Availability Subjected to Prior Sales.