

# PARTING LOCK SETS

-COMPACT TYPE-



Printed in Red

The volume discount rate is also applicable to alteration cost.  
All price & lead time are to be quoted.

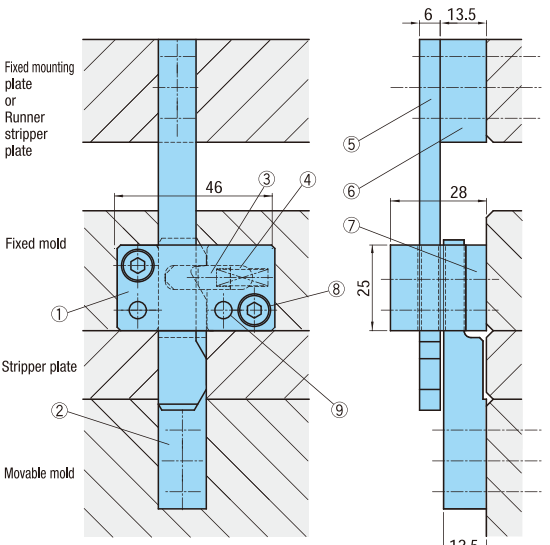
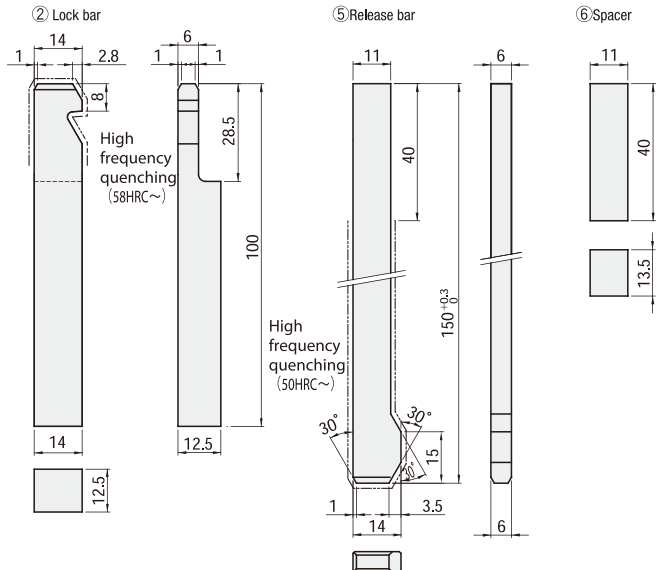
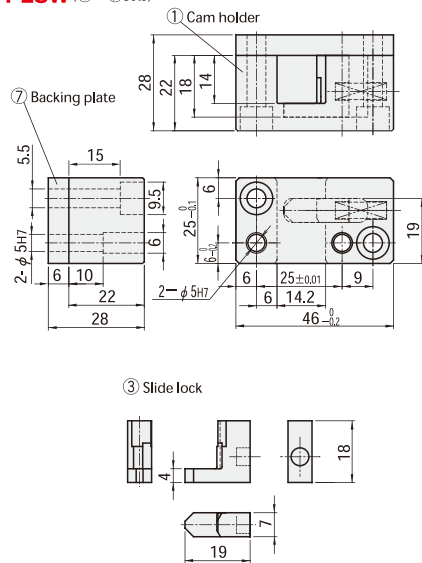


RoHS

Items	M	H
① Cam holder	SKD61	50~55HRC
② Lock bar	SKS3	58HRC~ (High frequency quenching)
③ Slide lock	SKD11	58~60HRC
④ Spring	SUS631	-
⑤ Release bar	SKS3	50HRC~ (High frequency quenching)
⑥ Spacer	S45C	-
⑦ Backing plate	SKS3	50HRC~

Accessories : ⑧ CB5-30 (2Pcs.) ⑨ MSTM5-25 (2Pcs.)

PLSW (①~⑦ Sets)



## Parting Lock Set

Components	Part Number	U/Price 1~9Sets
①~⑦ Sets	<b>PLSW</b>	<b>Quotation</b>

## Cam holder unit

Components	Part Number	U/Price 1~9Sets
①③④⑦ + Accessories	<b>PLSW-CH</b>	<b>Quotation</b>

## Release bar long type

Components	Part Number	U/Price 1~9Sets
⑤ (Length:250mm) ⑥	<b>PLSW-RL</b>	<b>Quotation</b>

☛ If a lock set with long release bar is necessary, use PLSW-CH, PLSW-RL and PRKW.

## Components (Single Items)

Components	Part Number	U/Price 1~9Sets
② Lock bar	<b>PRKW</b>	
③ Slide lock	<b>PRSW</b>	<b>Quotation</b>
⑤ Release bar	<b>PRLW</b>	

☛ Consumable components-lock bars, slide locks and release bars can be purchased independently.



Order

Part Number

**PLSW**

• Printed in Red



**3**

Days

☛ For area out of Singapore please refer to P.i.



Delivery

## Quantity discount rate

Quantity	1~9	10~19	20~49	50~100
Rate	-	5%	10%	15%

## Features

- Space saving.....The lock bar and release bar are constructed in such a way that they overlap when operating, thus realizing compactness (width is 46 mm).
- The lock bar is included, so it can also be used for thrusting out the stripper plate.