

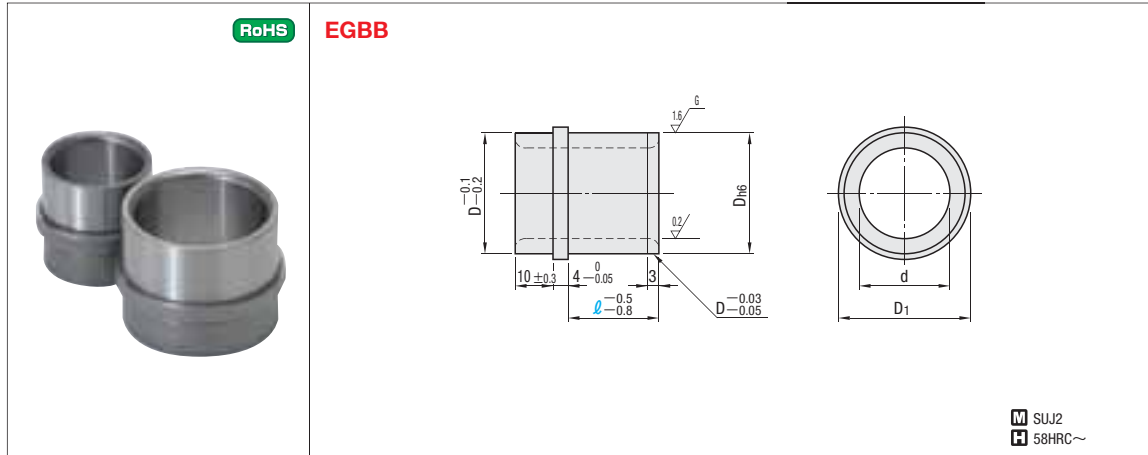
EJECTOR LEADER BUSHINGS

— BALL TYPE —



SGP Stock
Printed in Red

The volume discount rate is also applicable to alteration cost.
All price & lead time are to be quoted.



| D ₁ | D _{n6} | | d | Catalog No. | | l | U/Price 1~9 |
|----------------|-----------------|--------|--------|-------------|-----|----------------|----------------|
| | Type | No. | | Type | No. | | |
| 19 | 16 | 0 | 12 | EGBB | 8 | 13 15 | Quotation |
| 21 | 18 | -0.011 | 14 | | 10 | 13 15 | |
| 25 | 22 | 0 | 17 | | 13 | 13 15 20 25 | |
| 28 | 25 | | -0.013 | | 20 | 16 | |
| 33 | 30 | 0 | 24 | | 20 | 13 15 20 25 | |
| 38 | 35 | | -0.016 | | 29 | 25 | |
| 43 | 40 | 0 | 34 | | 30 | 13 15 20 25 | |



Order Catalog No. — l

EGBB16 — 20
Printed in Red • Printed in Blue



Delivery SGP Stock 3 Days

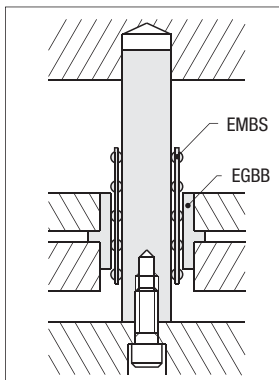
For area out of Singapore please refer to P.i.

Notes

- Please use precision pins (EGH · EGHC · EGHN · EGZA · EGHA)
- This bushing does not cause any scuffing, and enables, unattended operation with no troubles for long hours.
- It also provides a higher dynamic load rating than the linear guide type bushings.



Example

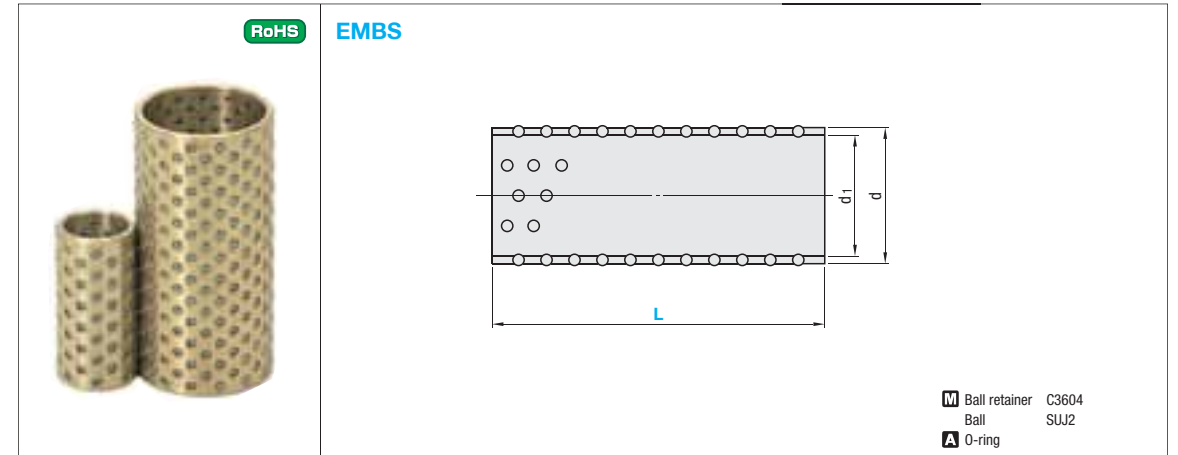


BALL RETAINERS



SGP Stock
Printed in Red

The volume discount rate is also applicable to alteration cost.
All price & lead time are to be quoted.



| Ball Dia. | d ₁ | d | Part Number | | L | U/Price 1~9 |
|-----------|----------------|------|-------------|-----|-------|----------------|
| | | | Type | No. | | |
| 2 | 8.5 | 11.5 | EMBS | 8 | 25 30 | Quotation |
| | | | | | 35 40 | |
| | 10.5 | 13.5 | | 10 | 25 30 | |
| | | | | | 35 40 | |
| | 13.5 | 16.5 | | 13 | 35 40 | |
| | | | | | 45 50 | |
| | | | | | 55 60 | |
| | | | | | 65 70 | |
| | 16.5 | 19.5 | | 16 | 35 40 | |
| | | | | | 45 50 | |
| | | | | | 55 60 | |
| | | | | | 65 70 | |
| 20.5 | 23.5 | 20 | 35 40 | | | |
| | | | 45 50 | | | |
| | | | 55 60 | | | |
| | | | 65 70 | | | |
| 25.5 | 28.5 | 25 | 35 40 | | | |
| | | | 45 50 | | | |
| | | | 55 60 | | | |
| | | | 65 70 | | | |
| 30.5 | 33.5 | 30 | 35 40 | | | |
| | | | 45 50 | | | |
| | | | 55 60 | | | |
| | | | 65 70 | | | |

An accessory O-ring fixes the ball retainer's position. Please use it when you install the ball retainer in the mold.



Order Part Number — L

EMBS20 — 45
Printed in Red • Printed in Blue



Delivery SGP Stock 3 Day

For area out of Singapore please refer to P.i.

Notes

- The ball (SUJ2) of the ball retainer undergoes thermal expansion, so use it at a temperature of no more than 100°C as a rough guide.