

# EJECTOR LEADER BUSHINGS



SGP Stock  
Printed in Red

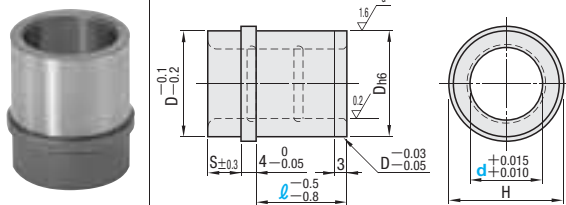
# EJECTOR LEADER BUSHINGS —LONG S DIMENSION TYPE—



SGP Stock  
Printed in Red

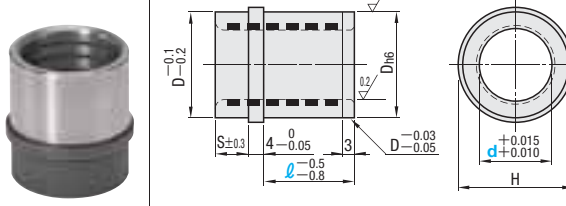
The volume discount rate is also applicable to alteration cost.  
All price & lead time are to be quoted.

**RoHS** **EGBH** Standard type



M SUJ2  
H 58HRC~

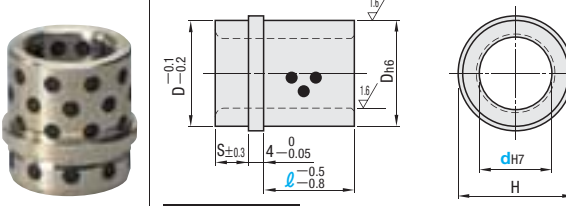
**RoHS** **EGBHZ** (Oil-free type)



M SUJ2  
Special solid lubricant MoS2 (Embedded)  
H 58HRC~

●Usable temperature range for the special solid lubricant : 80°C or less

**RoHS** **EGBZS** (Copper alloy • oil-free type)



M Grade-4 high strength brass (CAC304)  
(Old JIS • HBSC4)  
Special solid lubricant

●Usable temperature range for the special solid lubricant : 150°C or less

dh7	13 • 16	20~30	35~50
	+0.018	+0.021	0

S	H	D <sub>h6</sub>	Catalog No.		U/Price
			Type	d	
8	19	16	0 -0.011	8	10 13
					15
					10 13
					12 10 13
					13 10 13 15
10	23	20	0	16	10 13 15
					20 25
					10 13 15
10	25	22	0 -0.013	20	10 13 15
					20 25
					10 13 15
10	28	25	0 -0.013	25	10 13 15
					20 25
					10 13 15
10	33	30	0	25	10 13 15
					20 25 30
					10 13 15
10	38	35	0	25	13 15
					20 25 30
					10 13 15
15	43	40	0 -0.016	30	13 15 20 25 30
					15 20 25 30
					15 20 25 30
20	48	45	0	35	20 25 30
					20 25 30
					20 25 30
20	55	52	0	40	20 25 30
					20 25 30
					20 25 30
20	65	62	-0.019	50	25 30
					25 30
					25 30

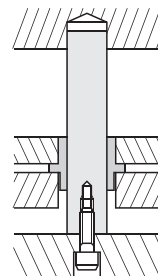
S	H	D <sub>h6</sub>	Catalog No.		U/Price
			Type	d	
10	25	22	0 -0.013	13	10 13 15
					13 15
					20
10	28	25	0 -0.013	16	13 15
					13 15
					20
10	33	30	0	20	15
					20 25
					15 20 25
15	43	40	0 -0.016	30	15 20 25
					20 25
					20 25
20	48	45	0	35	20 25 30
					20 25 30
					20 25 30
20	55	52	0	40	20 25 30
					20 25 30
					20 25 30
20	65	62	-0.019	50	25 30
					25 30
					25 30

S	H	D <sub>h6</sub>	Catalog No.		U/Price
			Type	d	
10	25	22	0 -0.013	13	10 13 15
					13 15
					20
10	28	25	0 -0.013	16	13 15
					13 15
					20
10	33	30	0	20	15
					20 25
					15 20 25
15	43	40	0 -0.016	30	15 20 25
					20 25
					20 25
20	48	45	0	35	20 25 30
					20 25 30
					20 25 30
20	55	52	0	40	20 25 30
					20 25 30
					20 25 30
20	65	62	-0.019	50	25 30
					25 30
					25 30

● Oil-free type...Special solid lubricant embedded eliminates the need for lubrication.  
(Applying initial running-in oil prior to use can enhance the product's durability furthermore.)  
Please note that oil oozes out from the solid lubricant about at 80°C.



Example of EGBH. EGBHZ. EGBZS usage



Order

Catalog No.	l
EGBH 16	20
EGBHZ16	20
EGBZS16	20

Delivery

● EGBH • EGBZS  
SGP Stock

● EGBZS Printed in Blue

3 Days	Express T
5 Days	Express A

● Other Product

3 Days	Express T
5 Days	Express A

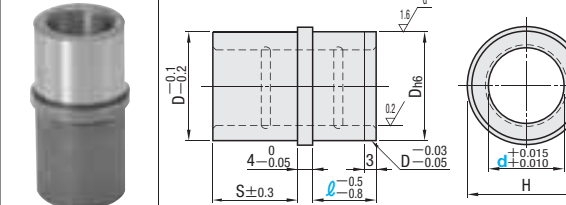
● For area out of Singapore please refer to P.i.

Quantity discount rate

Quantity	1~9	10~19	20~29	30~50
Rate	—	5%	10%	15%

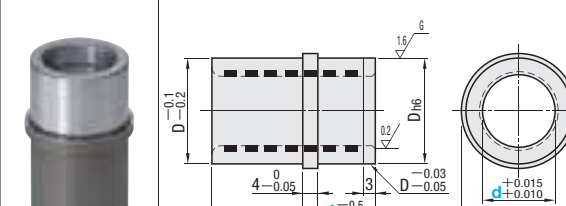
## Long S dimension type

**RoHS** **EGBN** (Long S dimension, plain type)



M SUJ2  
H 58HRC~

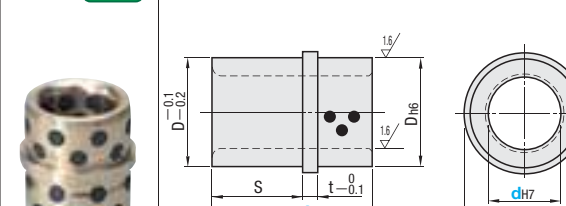
**RoHS** **EGBNZ** (Long S dimension, oil-free type)



M SUJ2  
Special solid lubricant MoS2 (Embedded)  
H 58HRC~

●Usable temperature range for the special solid lubricant : up to 80°C

**RoHS** **EGBZ** (Long S dimension • Copper alloy • oil-free type)



M Grade-4 high strength brass (CAC304)  
(Old JIS • HBSC4)  
Special solid lubricant

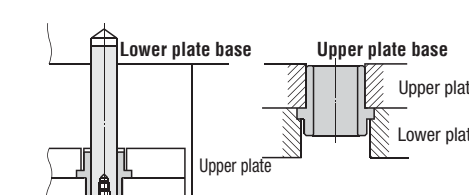
●Usable temperature range for the special solid lubricant : up to 150°C

dh7	13 • 16	20~30	35~50
	+0.018	+0.021	+0.025



Example of EGBN/EGBNZ/EGBZ Usage

● To use in commercial mold base, there are two ways—whether to make the counterbore on the upper or lower plate. In contrast to the short guide type EGBH ejector leader bushings, EGBN and EGBNZ/EGBZ provide a longer leading distance regardless of which plate the counterbore is based.



● Oil-free type...Special solid lubricant embedded eliminates the need for lubrication.  
(Applying initial running-in oil prior to use can enhance the product's durability furthermore.)  
Please be careful about the oil's seeping out from the solid lubricant at 80°C.

The volume discount rate is also applicable to alteration cost.  
All price & lead time are to be quoted.

S	H	D <sub>h6</sub>	Catalog No.		U/Price
			Type	d	
25	22	0 -0.013	13	10	Quotation
				15 20	
				16	
				20	
				20	
33	30	0	20	10 15	
				20 25	
				10	
38	35	0	25	15 20 25	
				20 25 30	
				30	
45	42	0 -0.016	32	20 25 30	
				20 25 30	
				35	
55	52	0	40	20 25 30	
				20 25 30	
				20 25 30	
65	62	-0.019	50	20 25 30	
				20 25 30	
				20 25 30	

S	H	D <sub>h6</sub>	Catalog No.		U/Price
			Type	d	
25	22	0 -0.013	13	10	Quotation
				15 20	
				16	
				20	
				20	
33	30	0	20	10 15	
				20 25	
				10	
38	35	0	25	15 20 25	
				20 25 30	
				30	
45	42	0 -0.016	32	20 25 30	
				20 25 30	
				35	
55	52	0	40	20 25 30	
				20 25 30	
				20 25 30	
65	62	-0.019	50	20 25 30	
				20 25 30	
				20 25 30	

S	H	D <sub>h6</sub>	t	Catalog No.		U/Price
				Type	d	
14	25	22	0 -0.013	13	25	Quotation
					16	
					25	
					20	
					20	
19	33	30	0	20	33	
					38	
					43	
24	43	40	0 -0.016	30	25	
					33	
					38	
29	48	45	0	35	33	
					38	
					43 53	
39	61	55	0 -0.019	40	38	
					43	
					53	
39	61	55	0 -0.019	40	38	
					43	
					53	
39	71	65	0 -0.019	50	43	
					53	
					68	

Order

Catalog No.	l	L
EGBN 16	20	—
EGBNZ16	20	—
EGBZ 20	—	33

Delivery

● EGBZ  
SGP Stock

● EGBZ Printed in Blue

3 Days	Express T
5 Days	Express A

● Other Product

3 Days	Express T
5 Days	Express A

● For area out of Singapore please refer to P.i.

Quantity discount rate

Quantity	1~9	10~19	20~29	30~50
Rate	—	5%	10%	15%

Express T  
Express A