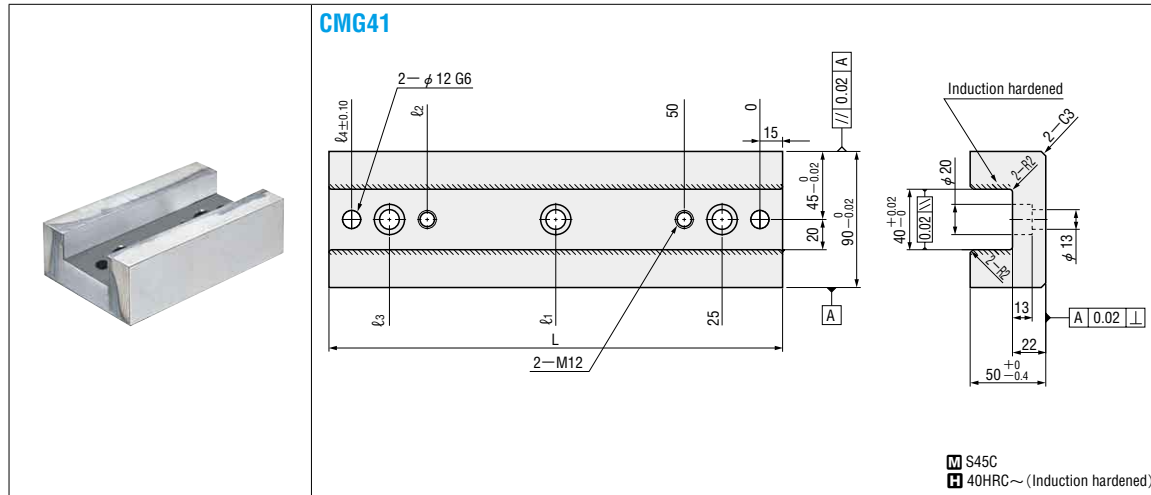




CENTER KEY GUIDES



CENTER KEYS



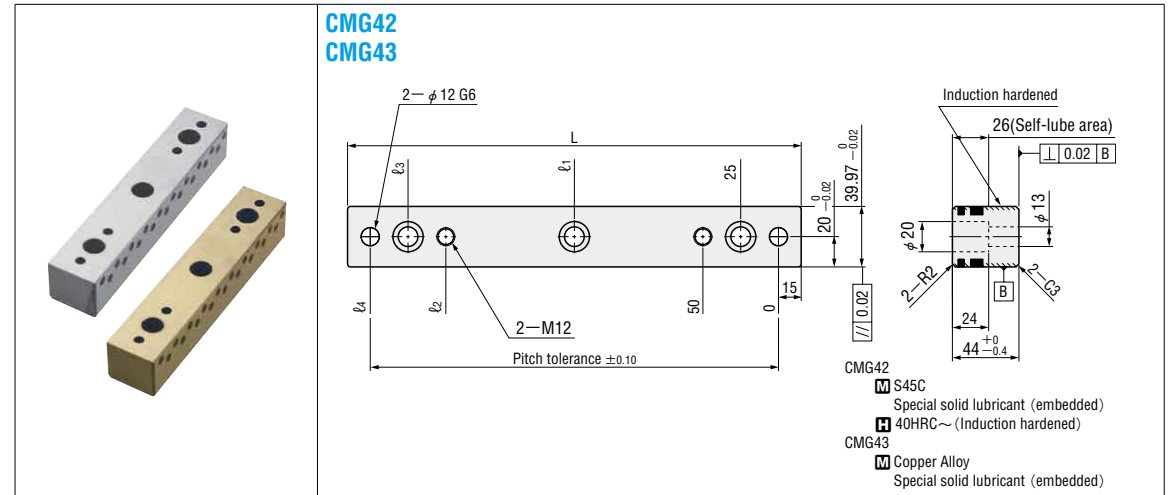
S45C
 40HRC~ (Induction hardened)

L	No. of C'Bore Holes	ℓ1	ℓ2	ℓ3	ℓ4	NAAMS Code	Catalog No.	
							Type	Code
200	2	—	120	145	170	G419020	CMG41	9020
300	3	135	220	245	270	G419030		9030

Order
CMG41 9030

Days to Ship

Price



CMG42 S45C
 Special solid lubricant (embedded)
 CMG43 40HRC~ (Induction hardened)
 Copper Alloy
 Special solid lubricant (embedded)

L	No. of C'Bore Holes	ℓ1	ℓ2	ℓ3	ℓ4	NAAMS Code		Code	
						Steel	Copper Alloy	Type	Code
200	2	—	120	145	170	G424020	G434020	CMG42 CMG43	4020
300	3	135	220	245	270	G424030	G434030		4030

Order
CMG43 4030

Days to Ship

Price

NAAMS