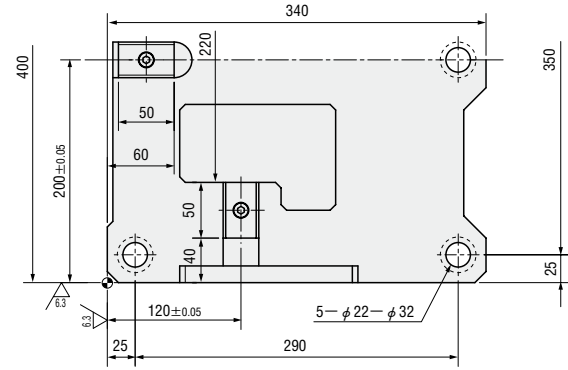


WIDE FLYING CAM UNITS FOR PIERCE

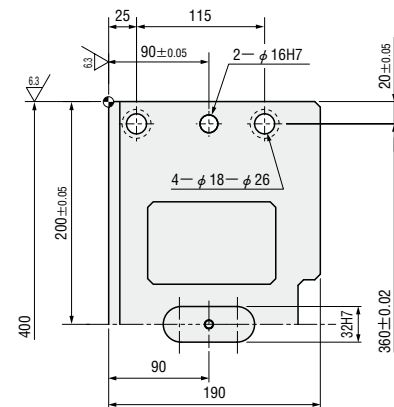
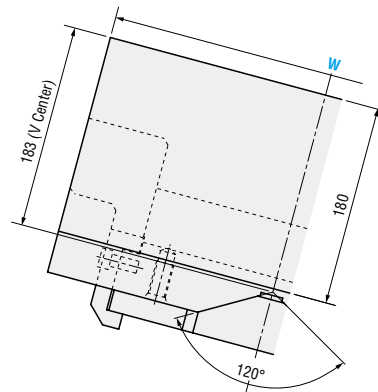
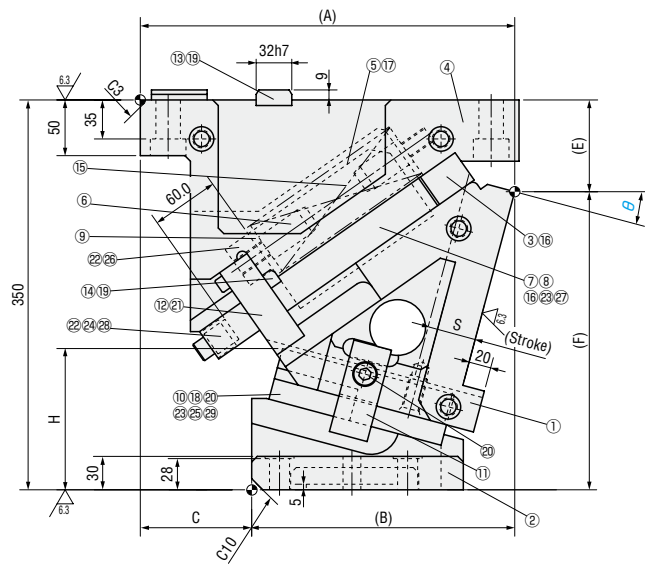
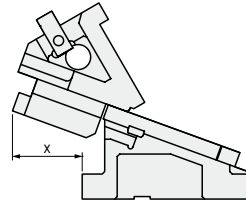
—MGFVW · MEVWN—



— With automatic alignment —
MGFVW400 ($\theta=00-40$)
 — Without automatic alignment —
MEVWN400 ($\theta=00-40$)
 (Economy type)



■ Rear removal space



■ Components table P.1213

W	θ	A	B	C	E	F	H	x
400	00	313	175	138	58	292	102	47
	05	320.64	195.64	125	64.34	285.66	110.8	61
	10	331.08	216.08	115	72.47	277.53	119.1	70
	15	336.17	236.17	100	82.37	267.63	126.8	80
	20	340.76	255.76	85	94	256	133.9	88
	30	347.83	292.83	55	112.25	237.75	155.7	103
	40	351.17	326.17	25	136.66	213.34	173.9	116

Slide Stroke S	Working force KN (tonf)		Spring load N (kgf)			Total weight kg	Catalog No.	W	θ
	Standard working force	Max. working force	Preload	5mm before bottom dead center	Max. load				
38.6	245.2 (25.0)	490.3 (50.0)	1634 (166.7)	8744 (891.6)	9806 (1000.0)	191.1	— With automatic alignment — MGFVW	400	00
42.6				8853 (902.8)		189.3			05
46.7				8935 (911.1)		188.0			10
50.9				9003 (918.0)		186.1			15
55.3				9071 (925.0)		185.3			20
65.1				9180 (936.1)		185.8			30
77.1				9275 (945.8)		191.9			40
							— Without automatic alignment — MEVWN (Economy type)		

Order **Catalog No.** MGFVW **W** 400 — **θ** 10

Days to Ship **Quotation**

Price **Quotation**

Alterations **Catalog No.** MGFVW **W** 400 — **θ** 30 — (N · K · FK) K

Alterations	Code	Spec.
2- ϕ 16H7	N	Add dowl hole Add 2 ϕ 16H7 dowl holes on cam holder
ϕ 9, 3, 14, 30°, 32H7, 50, 25	K	Add locating key (With 1 hexagon socket head cap screw M8×15)
215	FK	Move key position Move forward the locating key on cam holder.