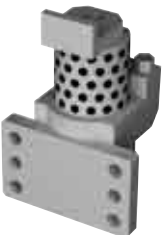


FLANGE LIFTERS

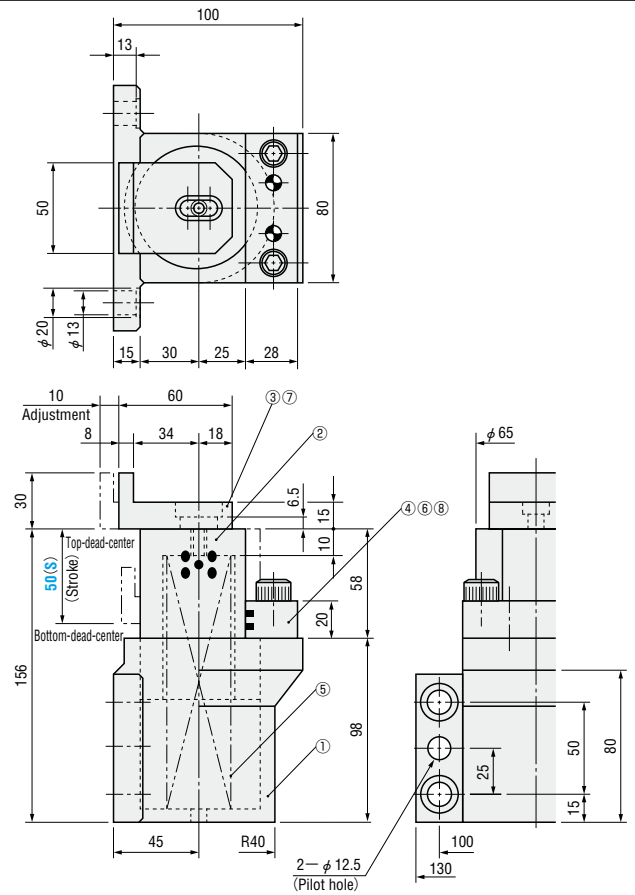
— OIL-FREE SIDE MOUNTING TYPE —

FLANGE LIFTERS

— WITH OIL GROOVE EMBEDDED TYPE —




FLSHF50

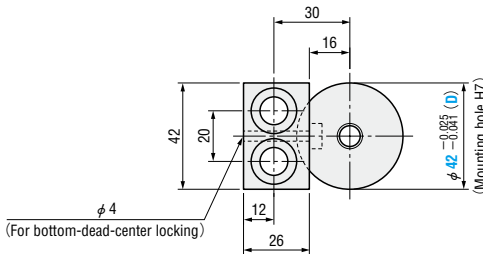


Components list

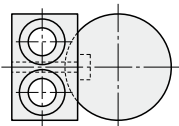
No.	Name	Qty.	Material & remarks
①	Base	1	FC250
②	Sliding guide bar	1	FCD450 + Special solid lubricant (embedded)
③	Lifter block	1	S45C
④	Stopper	1	S45C + Special solid lubricant (embedded)
⑤	Spring	1	X-SWF35-150
⑥	Hexagon socket head cap bolt	2	M12×20
⑦	Hexagon socket head cap bolt	1	M8×20
⑧	Dowel pin	2	φ 8×30



FLAOE



FLAOEN (Without bolt hole)



Components list

No.	Name	Qty.	Material & remarks
①	Sliding guide bar	1	FCD450
②	Stopper	1	S45C
③	Spring	1	MISUMI

Spring		During installation		Final		Catalog No.	Stroke S (mm)
O.D. (mm)	Free length (mm)	Length (mm)	Initial load (N)	Length (mm)	Max. load (N)		
35	150	138	154	88	794	FLSHF	50

H	h	Spring			Catalog No.	D	Stroke S (mm)
		Model	min. (N)	max. (N)			
90	70	X-SWR26-125	97	356	FLAOE FLAOEN	42	40
110	90	X-SWR26-175	115	392			60

Order

Days to Ship

Price

Alterations (W-T)

Code	Spec.
T	⑤ Change to TOHATSU spring
W	④ Change stopper material to copper alloy with special solid lubricant

■ Sliding guide bar (①)

Catalog No.	D	S
FLAOEP (For FLAOE)	42	40
FLAOENP (For FLAOEN)		60

Order

■ Stopper (②)

Catalog No.
FLAOES

Days to Ship

Price

CONVEYANCE COMPONENTS FOR AUTOMOTIVES