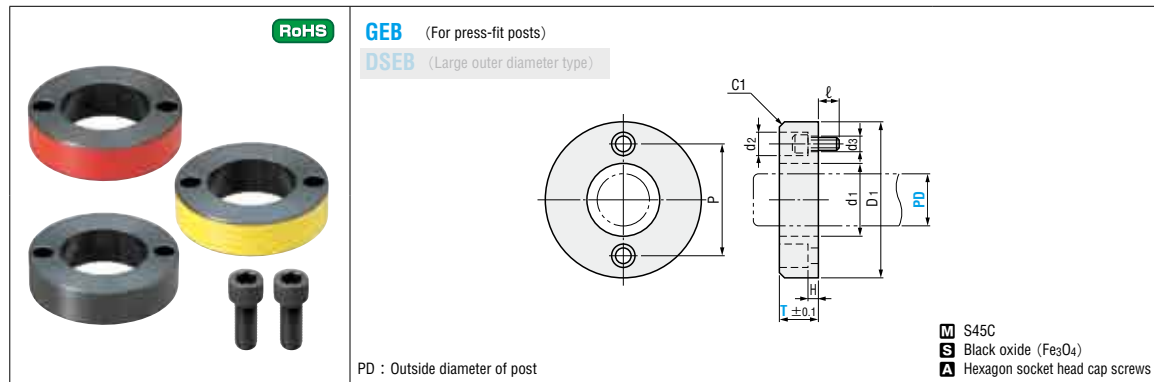


STROKE END BLOCKS

— FOR PRESS-FIT POSTS —



PD : Outside diameter of post

- M S45C
- S Black oxide (Fe₃O₄)
- A Hexagon socket head cap screws

| D1 | P | d1 | T | H | d2 | d3 | Accessories Mounting bolts | ℓ | Catalog No. | | T | Color | Base unit price 1~9 pieces |
|-----|-----|----|----------|----|----|-----|----------------------------|-----------|-------------|----|----|------------|----------------------------|
| | | | | | | | | | Type | PD | | | |
| 75 | 60 | 43 | 20·25·30 | 10 | 10 | 5.5 | CB5—20 | 10 | GEB | 38 | 20 | R (Red) | Quotation |
| 90 | 72 | 55 | 20·25 | 10 | 11 | 6.5 | CB6—20 | | | 50 | 25 | | |
| | | | 30·35·40 | 20 | | | CB6—30 | 60 | 30 | | | | |
| 120 | 92 | 65 | 20·25 | 8 | 14 | 9 | CB8—20 | 12 | GEB | 80 | 35 | N (Normal) | Quotation |
| | | | 30·35·40 | 18 | | | CB8—30 | | | 60 | 30 | | |
| 150 | 116 | 88 | 20·25 | 8 | 14 | 9 | CB8—20 | 12 | GEB | 80 | 40 | N (Normal) | Quotation |
| | | | 30·35·40 | 18 | | | CB8—30 | | | 60 | 30 | | |
| 120 | 100 | 54 | 15 | 5 | 10 | 10 | | | GEB | 50 | 15 | R (Red) | Quotation |
| 140 | 120 | 64 | 20 | 10 | | | | | | 50 | 20 | Y (Yellow) | |
| | | | 15 | 5 | 60 | 20 | N (Normal) | Quotation | | | | | |
| | | | 20 | 10 | | | | | | | | | |

DSEP was discontinued in 2017.

N (Normal) exterior is black oxide (Fe₃O₄).

Order **Catalog No.** — **T** — **Color**
GEB 50 — **30** — **Y**

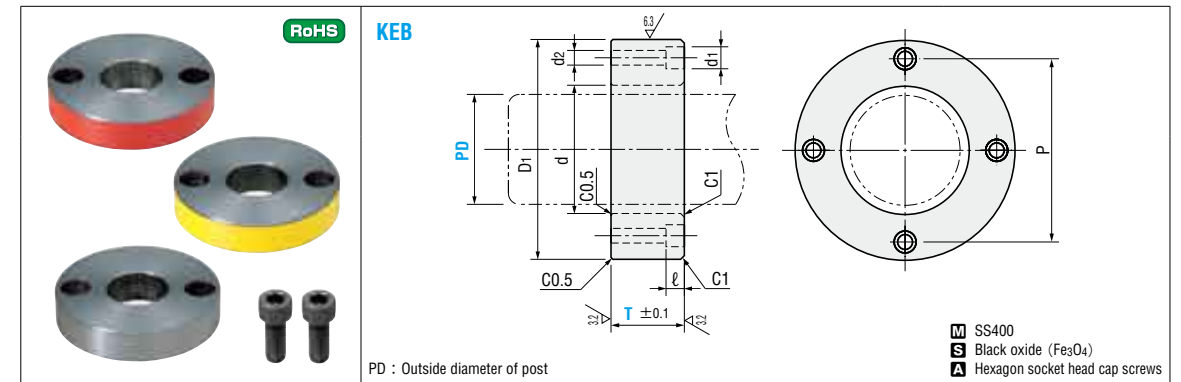
Alterations **Catalog No.** — **T** — **Color** — **(NMC)**
GEB 50 — **30** — **Y** — **NMC**

Days to Ship **Quotation**

Price **Quotation**

| Alteration | Code | Spec. | 1Code |
|------------|------|---|-----------|
| | NMC | Addition of a groove for height adjustment The surface treatment at the location of the alteration is removed. | Quotation |

LOCKING END BLOCKS FOR GUIDE BUSHINGS



PD : Outside diameter of post

- M SS400
- S Black oxide (Fe₃O₄)
- A Hexagon socket head cap screws

PD=30~60 PD=80~100

| T dimension | Length L of provided cap screws |
|-------------|---------------------------------|
| 20 | 25 |
| 25 | 30 |
| 30 | 35 |
| 35 | 40 |
| 40 | 45 |
| 45 | 50 |
| 50 | 55 |
| 55 | 60 |

EX Example

Because this product combines the functions of a locking block and end block, it is effective in reducing the required man-hours.

| D1 | PD Post diameters | D2 Bushing outside diameter | d | P | ℓ※1 | d1 | d2 | Accessories Mounting bolts※2 | Catalog No. | | T 5mm increments | Color | Base unit price 1~9 pieces |
|-----|-------------------|-----------------------------|-----|-----|-----|------|------------------|------------------------------|-------------|---------|------------------|-----------|----------------------------|
| | | | | | | | | | Type | PD | | | |
| 96 | 30 | 50 | 35 | 72 | 15 | 17.5 | 11 | CB10—L 2 pcs. | KEB | 30 | 20 ~ 30 | R (Red) | Quotation |
| 106 | 40 | 60 | 45 | 82 | | | | | | 40 | 20 ~ 40 | | |
| 116 | 50 | 70 | 55 | 92 | 20 | 14 | CB12—L 4 pcs. | KEB | 50 | 20 ~ 55 | Y (Yellow) | Quotation | |
| 126 | 60 | 80 | 65 | 102 | | | | | 60 | | | | |
| 150 | 80 | 100 | 85 | 124 | | | | | 80 | 20 ~ 50 | N (Normal) | | |
| 170 | 100 | 120 | 105 | 144 | | | | | 100 | | | | |

N (Normal) exterior is black oxide (Fe₃O₄). ※1 If T=20, ℓ=12 ※2 For L dimension, refer to the above table.

Order **Catalog No.** — **T** — **Color**
KEB 50 — **30** — **Y**

Alterations **Catalog No.** — **T** — **Color** — **(KTP-NMC)**
KEB50 — **30** — **Y** — **KTP**

Days to Ship **Quotation**

Price **Quotation**

| Alteration | Code | Spec. | 1Code | | | | | | |
|------------|------|--|-------|---|-------|----|--------|----|-----------|
| | KTP | Addition of a lead-in guide for inserting the guide post. Machined by tapering on the inner diameter. <table border="1" style="margin-left: 20px;"> <thead> <tr> <th>PD</th> <th>S</th> </tr> </thead> <tbody> <tr> <td>30~40</td> <td>5</td> </tr> <tr> <td>50~100</td> <td>10</td> </tr> </tbody> </table> <p>The surface treatment at the location of the alteration is removed.</p> | PD | S | 30~40 | 5 | 50~100 | 10 | Quotation |
| PD | S | | | | | | | | |
| 30~40 | 5 | | | | | | | | |
| 50~100 | 10 | | | | | | | | |
| | NMC | Addition of a groove for height adjustment <table border="1" style="margin-left: 20px;"> <thead> <tr> <th>PD</th> <th>H</th> </tr> </thead> <tbody> <tr> <td>30~40</td> <td>10</td> </tr> <tr> <td>50~100</td> <td>15</td> </tr> </tbody> </table> <p>The surface treatment at the location of the alteration is removed.</p> | PD | H | 30~40 | 10 | 50~100 | 15 | Quotation |
| PD | H | | | | | | | | |
| 30~40 | 10 | | | | | | | | |
| 50~100 | 15 | | | | | | | | |