

BAND HEATERS / BAND SENSORS

RoHS10

Band Heaters



MBH

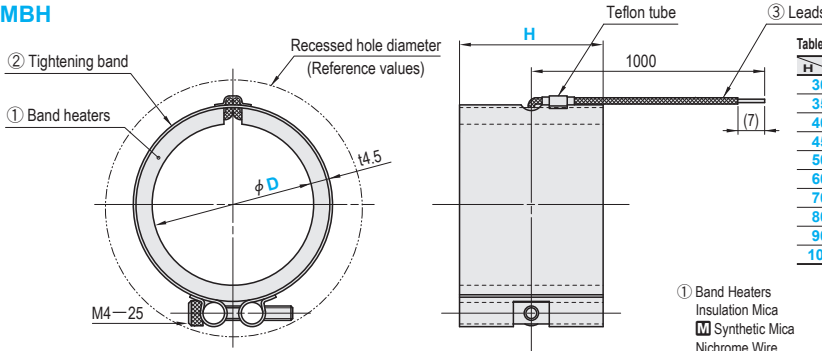


		Table of electric power (W) (±10%)						Insulation resistance 10M Ω or more	
H	D	28	30	35	40	45	50		
30	130	140	165	200	220	250	250		
35	150	165	200	220	250	300	300		
40	175	200	220	250	300	320	320		
45	200	220	250	300	320	350	350		
50	220	250	300	320	350	400	400		
60	-	250	300	350	400	450	450		
70	-	290	350	400	450	500	500		
80	-	330	400	450	550	600	600		
90	-	370	450	500	600	650	650		
100	-	420	500	550	650	700	700		

- ① Band Heaters
- Insulation Mica
- M Synthetic Mica
- Nichrome Wire
- M Nickel Chrome ribbon wire
- ①~② Heat resistance: 300°C
- ② Tightening band
- M SUS430
- ③ Leads
- M Heat-resistant glass wire
- ③ Lead heat resistance temperature 180°C

V (Voltage)	W/cm ² (Watt density)	Recessed hole dia. (Reference)	Part Number		H (Thickness of band)	Unit Price (1~9 pcs)				
			Type	D		H30~40	H45·50	H60·70	H80	H90·100
220	W/cm ² = W/(D×H×3.14/100)	(60)	MBH	28	30~50 (5 mm increments)					
		(64)		30						
		(70)		35	60~100 (10 mm increments)	Quotation				
		(74)		40						
		(80)		45						
		(84)		50						

Order **Part Number** - **H**
MBH28 - 40

Days to Ship **Quotation**

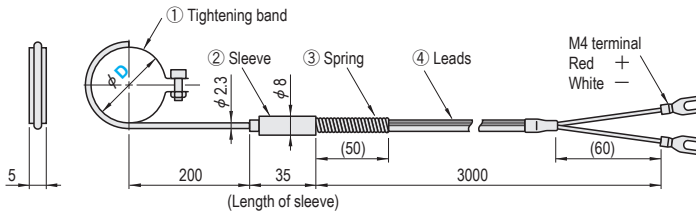
Price **Quotation**

Band Sensors

RoHS10



SSMB (K type)



The Highest use temperature 450°C

M SUS304

Part Number		Unit Price
Type	D	1~9 pcs
SSMB	25	Quotation
	30	
	35	
	40	
	45	
	50	

Order **Part Number**
SSMB30

Days to Ship **Quotation**

Price **Quotation**