


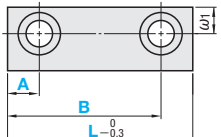
PLAIN GUIDE RAILS

—L DIMENSION DESIGNATION TYPE/NON-OIL GROOVE TYPE • OIL GROOVE TYPE—

Ⓜ Non JIS material definition is listed on P.1351 - 1352



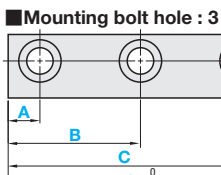
■ Mounting bolt hole : 2 **2H**



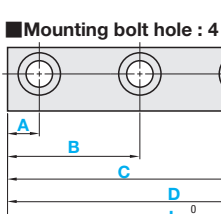
■ Table for Bolt Hole Size

W	T	d ₁	d ₂	t ₁	ω ₁
10	10 · 12.5 · 15	8	4.5	5	4.5
12.5	10 · 15 · 20				5
15	10 · 15 · 20 · 25	9.5	5.5	6	6
	15 · 20				7
20	15 · 20	14	9	9	9
	25 · 30				10
25	20 · 25 · 30 · 35	17	11.5	11	11
30	25 · 30 · 35				13
35	30 · 35	19	12.5	13	13
40	30 · 40				13

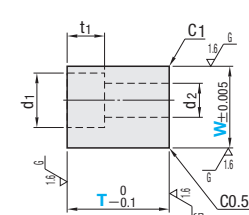
■ Mounting bolt hole : 3 **3H**



■ Mounting bolt hole : 4 **4H**



■ Details of Oil Groove (GRSFM—□H · GRMF—□H)



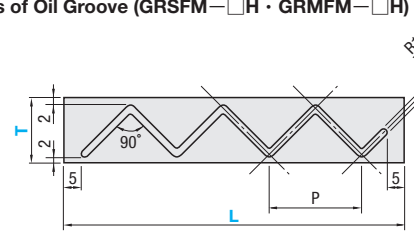
Ⓜ All corners C ≤ 1 unless specified.

■ Oil Groove Pitch

T	P
10	8
12.5	13
15	18
20	28
25	38
30	48
35	58
40	68

Ⓜ Please note that if L ≤ P + 10, there is the possibility that 1 cycle (1 pitch) of oil groove can not be cut.

■ Calculation method for oil groove pitch

$$P = (T - 6) \times 2$$


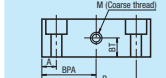

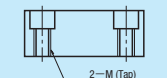
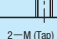
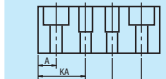

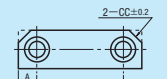

Part Number	M	H
Non-oil groove	SKS3	53~56HRC
Oil groove	HPM2T equivalent	37~41HRC

Part Number	Type	No. (Bolt hole)	W	T Selection	L 5mm increments	Bolt hole pitch 0.5mm increments								
						A		B		C		D		
						min.	max.	min.	max.	min.	max.	min.	max.	
Non-oil groove GRSF (SKS3)	2H	10	10	10	35 · 40~75	6	B-10	A+10	2H L-6	B+10	3H L-6	C+10	4H L-6	
				12.5	60~100				3H C-10		4H D-10			
				15	100				4H C-10					
				12.5	10				35 · 40~75		2H L-6		3H L-6	4H L-6
					15				60~100		3H C-10		4H D-10	
					20				100		4H C-10			
	3H	10	40~75	2H L-7	3H L-7	4H L-7								
		12.5	60~150	3H C-11.5	4H D-11.5									
		15	100~150	4H C-11.5										
		20	15	40~150	2H L-7.5	3H L-7.5	4H L-7.5							
			20	100~200	3H C-13	4H D-13								
			25	155~200	4H C-13									
Oil groove GRSFM (SKS3)	2H	10	10	10	40~150	7	B-11.5	A+11.5	2H L-7	B+11.5	3H L-7	C+11.5	4H L-7	
				12.5	60~150				3H C-11.5		4H D-11.5			
				15	100~150				4H C-11.5					
				12.5	10				40~150		2H L-7.5		3H L-7.5	4H L-7.5
					15				100~200		3H C-13		4H D-13	
					20				155~200		4H C-13			
	3H	10	40~150	2H L-9	3H L-9	4H L-9								
		12.5	60~150	3H C-16	4H D-16									
		15	100~200	4H C-16										
		20	15	40~150	2H L-9	3H L-9	4H L-9							
			20	100~200	3H C-16	4H D-16								
			25	155~200	4H C-16									
Oil groove GRMF (HPM2T equivalent)	2H	10	10	10	50~165	9	B-16	A+16	2H L-9	B+16	3H L-9	C+16	4H L-9	
				12.5	60~150				3H C-19		4H D-19			
				15	100~200				4H C-19					
				12.5	10				50~165		2H L-10.5		3H L-10.5	4H L-10.5
					15				110~200		3H C-21		4H D-21	
					20				190~200		4H C-21			
	3H	10	50~165	2H L-10.5	3H L-10.5	4H L-10.5								
		12.5	60~150	3H C-19	4H D-19									
		15	100~200	4H C-19										
		20	15	50~165	2H L-10.5	3H L-10.5	4H L-10.5							
			20	110~200	3H C-21	4H D-21								
			25	190~200	4H C-21									
4H	10	50~165	2H L-10.5	3H L-10.5	4H L-10.5									
	12.5	60~150	3H C-19	4H D-19										
	15	100~200	4H C-19											
	20	15	50~165	2H L-10.5	3H L-10.5	4H L-10.5								
		20	110~200	3H C-21	4H D-21									
		25	190~200	4H C-21										


Ⓜ L35 with * mark is only applicable to non-oil groove type, GRSF and GRMF.

Alterations  Part Number — T — L — A — B — (BP · KP · MC · CC)  Quotation

GRMF-2H10 — 10 — 75 — A6 — B36 — MC

Alterations	Code	Spec.	1Code	Alterations	Code	Spec.	1Code
	BP	Tapping Details  P.683	Quotation		MC	Change to tap hole Ⓜ Applicable to W10~25 Details  P.684	Quotation
	KP	Dowel hole boring Ⓜ Applicable to M HPM2T equivalent Details  P.683			CC	C chamfering Details  P.684	

 Price  Quotation

Order 

Part Number	T	L	A	B	C	D
2H GRSF-2H10	10	75	A6	B16		
3H GRSF-3H10	10	100	A6	B16	C26	
4H GRSF-4H10	10	100	A6	B16	C26	D36

Days to Ship   Quotation

Price   Quotation